

M SERIES

FLAGSHIP LASER METAL TUBE CUTTING MACHINE

1.5kW-6kW



THE BLACK GO CHESS



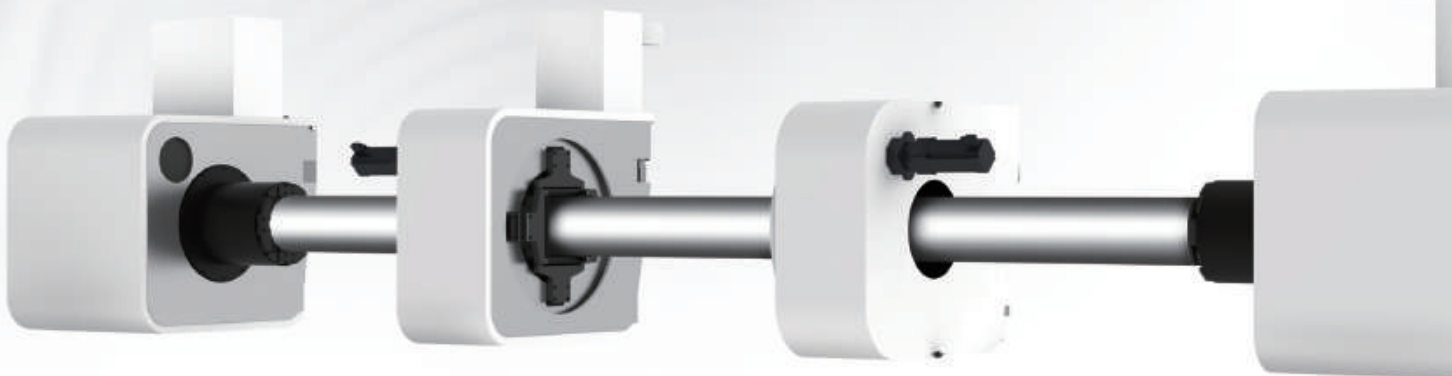
Black Go chess — inspired by Go

Circular — endless loop, endless exploration

Black — derived from obsidian crystal, steady and deep



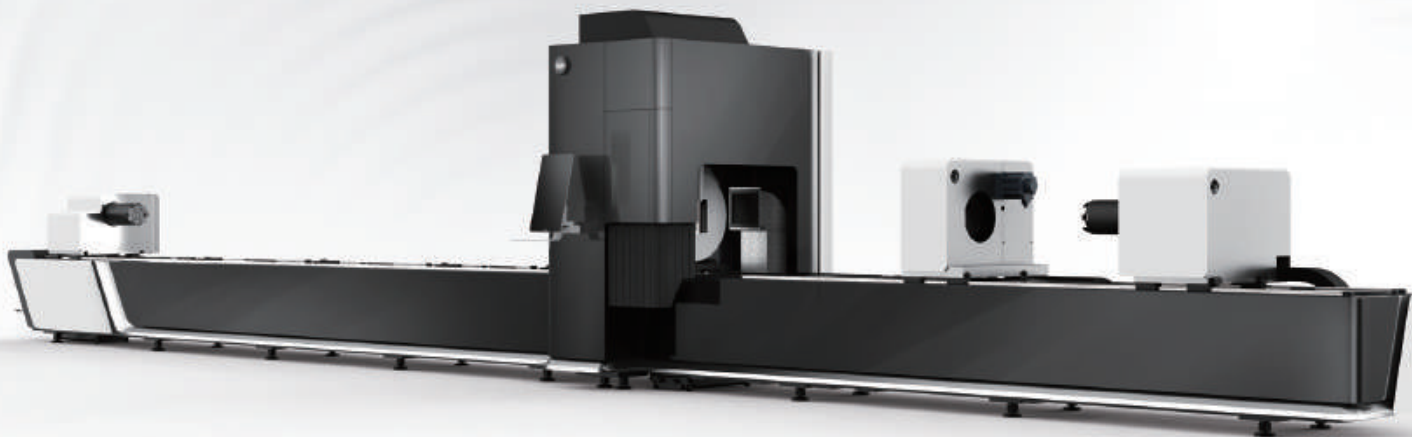
NO WASTE OF MATERIAL



Advantages

- Equipped with four chucks, the cutting cost is saved without tube cutting scraps.

FLAGSHIP LASER METAL TUBE CUTTING MACHINE



Advantages

- Maximum capacity, for all tube cutting demands;
- Various tube cutting lengths and unloading lengths are available with M-Series.

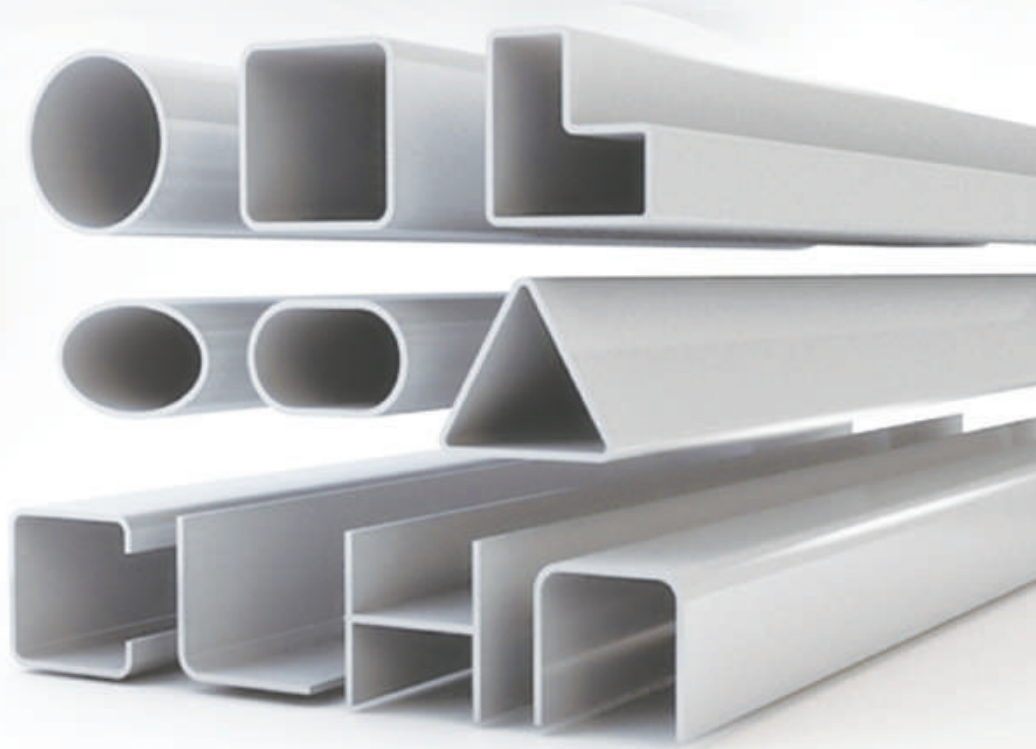
BODOR THINKER



Advantages

- High-end intelligent system, stable and reliable, easy to setup and debug, keep safe in production, rich in functions, and excellent in performance. It supports modular, personalized, automated, and informationized solutions.

APPLICABLE FOR VARIABLE TYPES OF TUBE



Advantages

- T Series is applicable for different kinds of tubes, such as round, square, rectangle, triangle, I-beam etc.
- The dedicated control system of tube cutting machine integrated with the most advanced technology, can cut angle steel and channel steel directly without nesting and zero-returning.

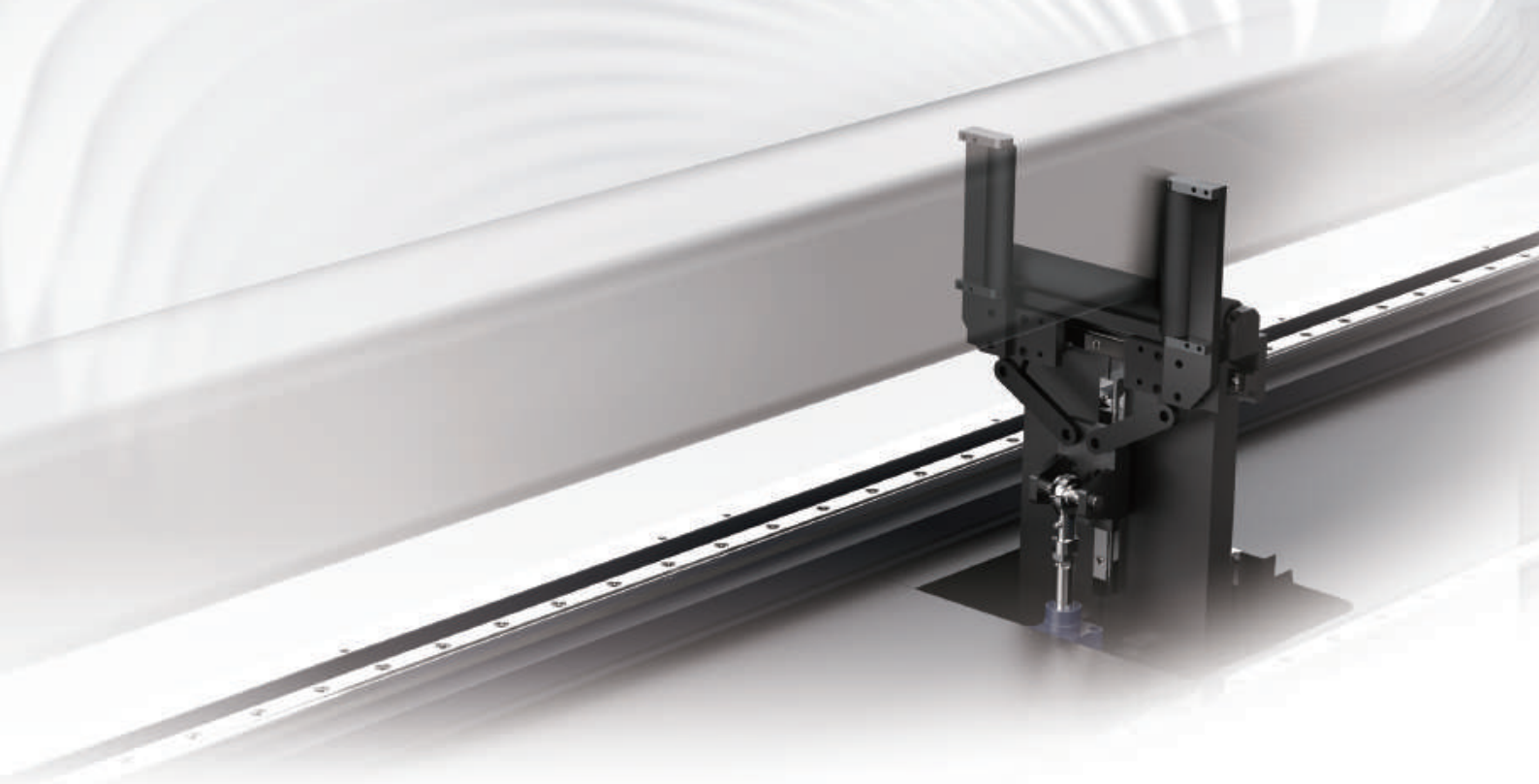
AUTOMATIC TUBE DETECTION



Advantages

- Optimized edge searching method and algorithm guarantee higher cutting precision and better steadiness.

SERVO FOLLOW-UP ROLLER



Advantages

- The servo rollers precisely follow up the motion of tubes while cutting, ensuring that square tubes, rectangular tubes, and other tubes with opening structures like channel steel get precise processing.
- The servo follow-up turnover unloading device effectively guarantees the support for long tubes and improves cutting precision. When cutting is finished, the device can achieve automated unloading.

PNEUMATIC CHUCK

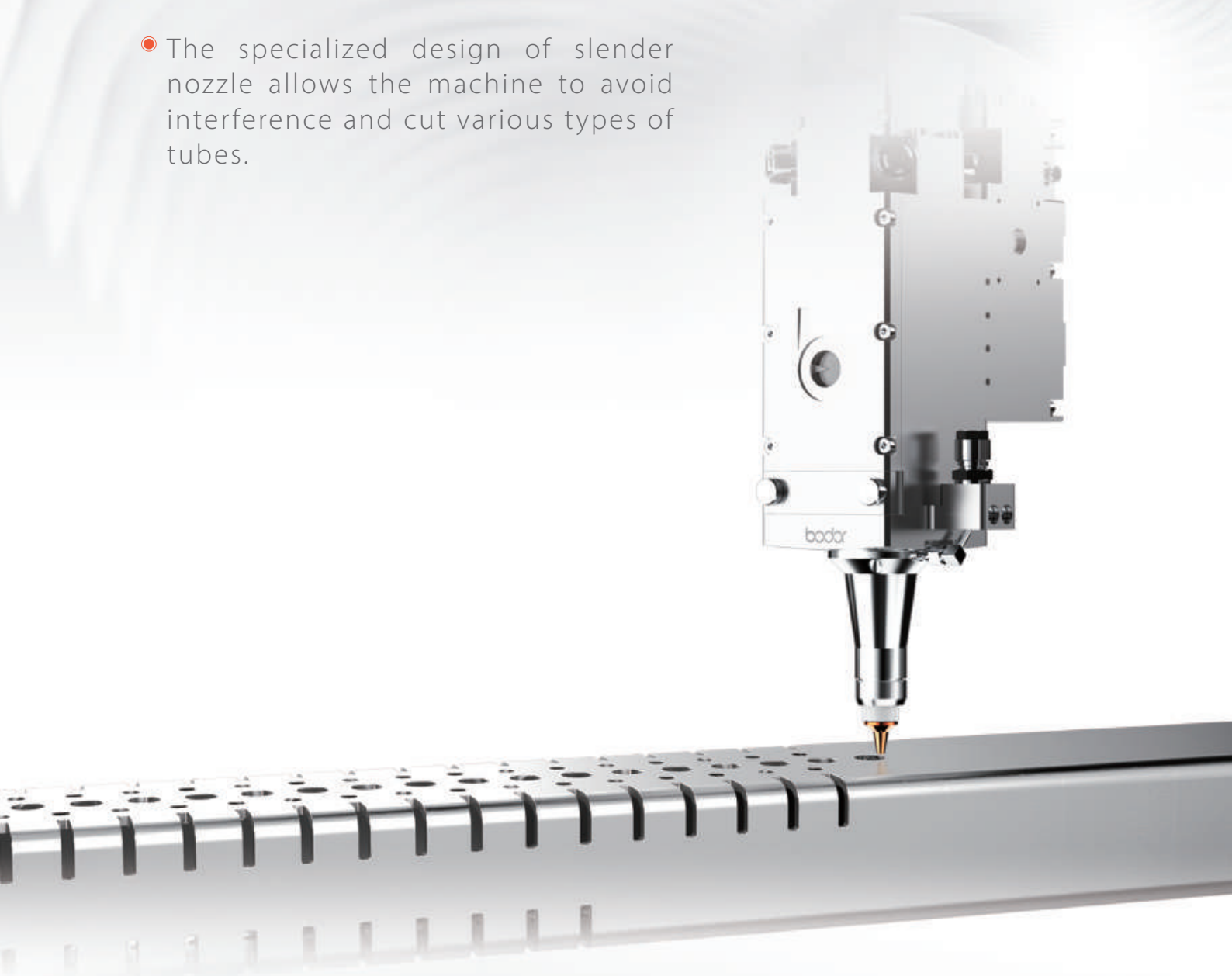


Advantages

- Quick clamping improves the work efficiency.
- The clamping force is large, stable and adjustable.
- Strong safety and reliability.

BodorGeniusT

- The specialized design of slender nozzle allows the machine to avoid interference and cut various types of tubes.



BODOR CLOUD

Advantages

- Daily equipment status management (processing data, report forms)
- Alarm and maintenance reminder
- Cloud transmission for processing programs
- Remote online service access with one key
- Real-time information of the latest cutting process

Technical Data

ITEM	M230	M350
Tube cross-sectional shape	Round tube, square tube, rectangular tube, angle steel, channel steel, H-beam, etc.	
Tube size range	Round tube $\Phi 20$ - $\Phi 230$ mm Square tube $\square 20$ - $\square 160$ mm Rectangular tube: $170\text{mm} \geq \text{Side length} \geq 20\text{mm}$, Circumscribed circle diameters $\leq 230\text{mm}$	Round tube $\Phi 20$ - $\Phi 350$ mm Square tube $\square 20$ - $\square 350$ mm Rectangular tube: $300\text{mm} \geq \text{Side length} \geq 20\text{mm}$, Circumscribed circle diameters $\leq 350\text{mm}$
Maximum machinable tube length	6500mm	9200mm
Maximum tube weight	200Kg	500kg
Max. Chuck rotating speed	110r/min	75r/min
X axis maximum speed	110m/min	80m/min
Y axis maximum speed	60m/min	60m/min
X maximum acceleration	1G	1G
Y maximum acceleration	0.6G	0.6G
Z axis maximum speed	60m/min	60m/min
Dimensions	15200mmX2410mmX2750mm	24500mmx2000mmx3100mm
Overall weight	10000kg	18000kg
Positioning accuracy	0.06mm	0.06mm
Repositioning accuracy	0.04mm	0.04mm
Total power capacity/current with 6KW source	93.7KVA/142.3A	103.7KVA/162.3A
Total power capacity/current with 3KW source	77.9KVA/118.4A	87.9KVA/138.4A
Total power capacity/current with 2KW source	69.2KVA/105.2A	79.2KVA/125.2A
Total power capacity/current with 1.5KW source	75.4KVA/114.6A	85.4KVA/134.6A

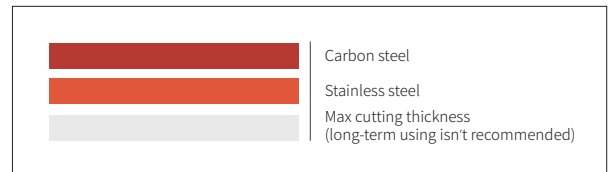
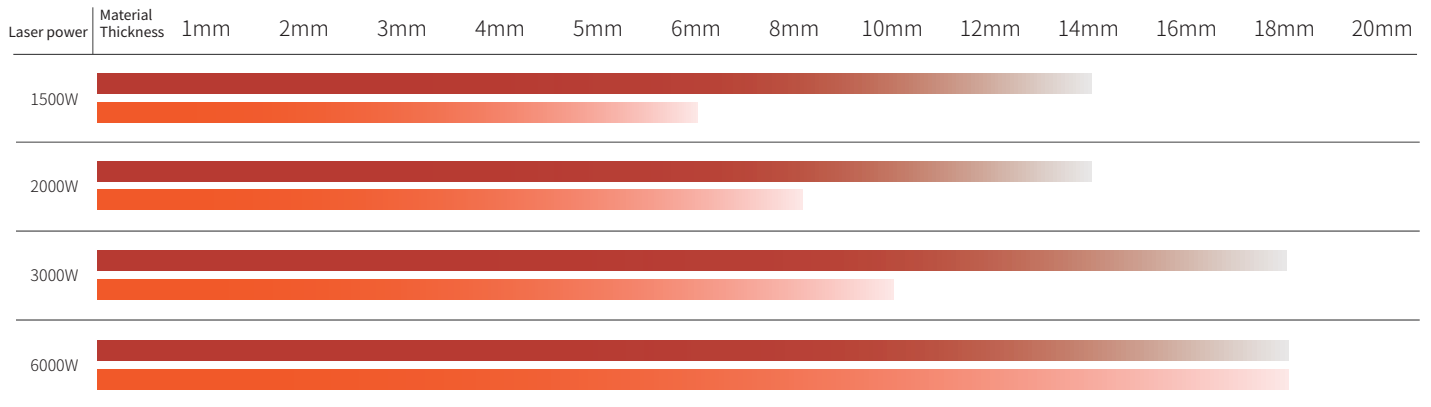
Configuration And Components

laser head	Bodor Genius T
Laser source	Bodor Power
Chuck	Pneumatic chuck
Linear Rails	Bodor
Rack	Bodor
"X-axis、Y-axis、Z-axis、A-axis Servo motor and driver"	Bodor
Control system	Bodor Thinker
Display size	21.5 inches
Water Chiller	●
Dust removal	Centrifugal fan

Tube Cutting Parameters

		1000W	1500W	2000W	3000W	6000W
	Thickness (mm)	speed m/min	speed m/min	speed m/min	speed m/min	speed m/min
Carbon steel	1	12--15	17--19	16--20	18--21	18--21
	2	5--7	6--8	8--10	10--12	15-20
	3	2--3	2.5--3.5	3.0--4.8	3.5--5	3.8--5.5
	4	2--2.4	2.3--2.8	2.8--3.5	3--3.8	3.2--4.3
	5	1--1.6	1.8--2.4	2.5--3	2.6--3.2	3--4
	6	1.1--1.4	1.4--1.8	1.8--2.2	1.9--2.4	2.5--3.5
	8	0.8--1.1	1--1.4	1.4--1.8	1.6--2	2--3
	10	0.6--0.9	0.8--1.1	1.0--1.3	1.2--1.6	1.3--2.2
	12	0.6--0.7	0.6--0.9	0.8--1	0.9--1.3	1.2--1.7
	14		0.5--0.6	0.6--0.7	0.8--1	0.9--1.3
	16				0.6--0.9	0.6--1.1
	18				0.5--0.6	0.5--0.7
20						
Stainless steel	1	12--16	15--20	20--24	23--28	23--28
	2	7--9	9--12	10--15	14--18	20--22
	3	2--2.5	2--3	3--4	4.2--5.4	8--10
	4	0.6--0.9	1.2--1.5	2--3	2.8--3.6	9--12
	5		0.6--0.9	1.2--1.6	1.8--2.4	6--8
	6		0.5--0.6	0.8--1.1	1--1.5	4--5.5
	8			0.5--0.6	0.8--1.2	2--3
	10				0.4--0.6	1--1.5
	12					0.5--1
	14					0.4--0.7
	16					0.2--0.4
	18					0.2--0.4
20						

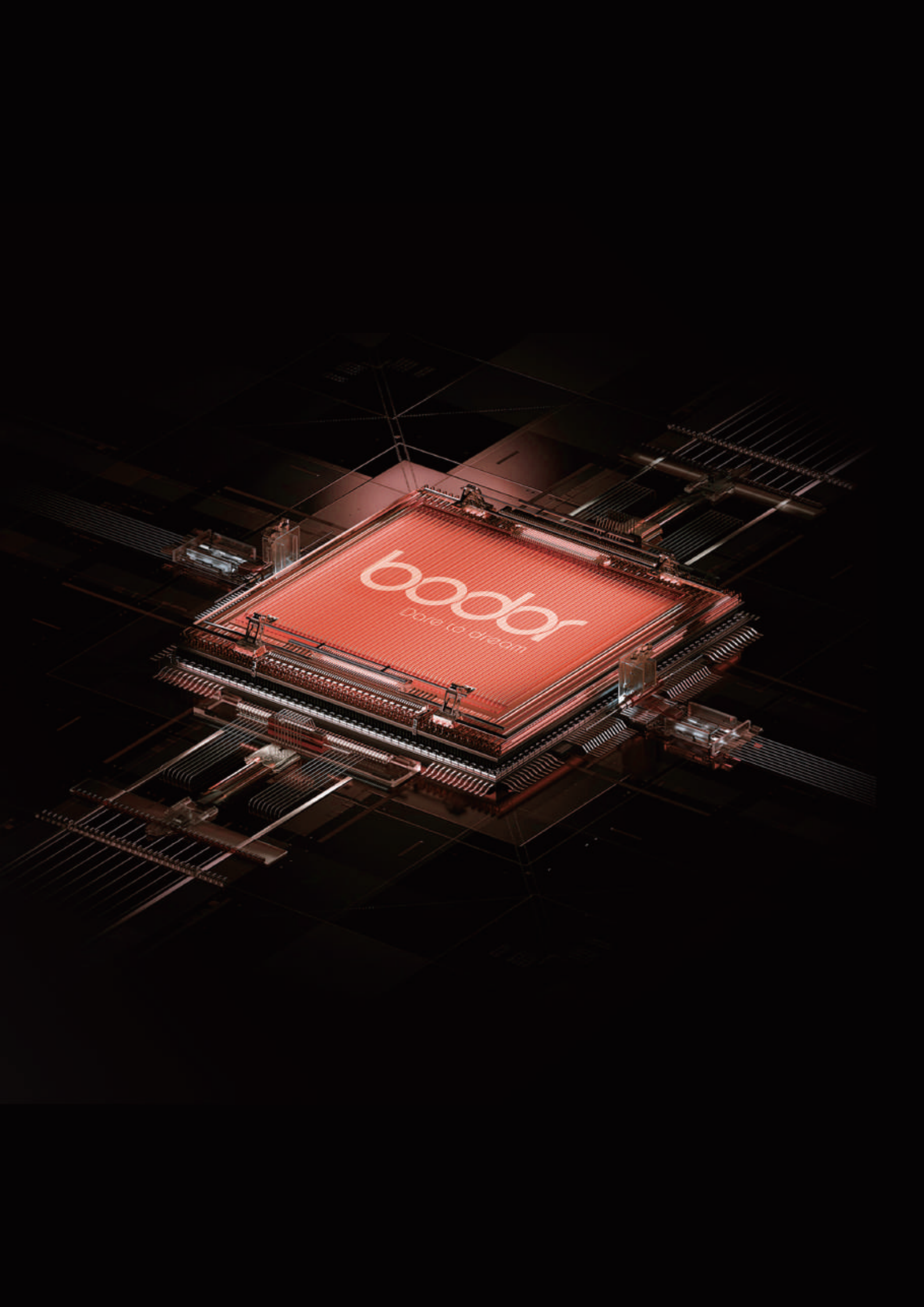
Cutting Capacity



Above data is only for reference

Cutting Samples





boddor
Care to dream